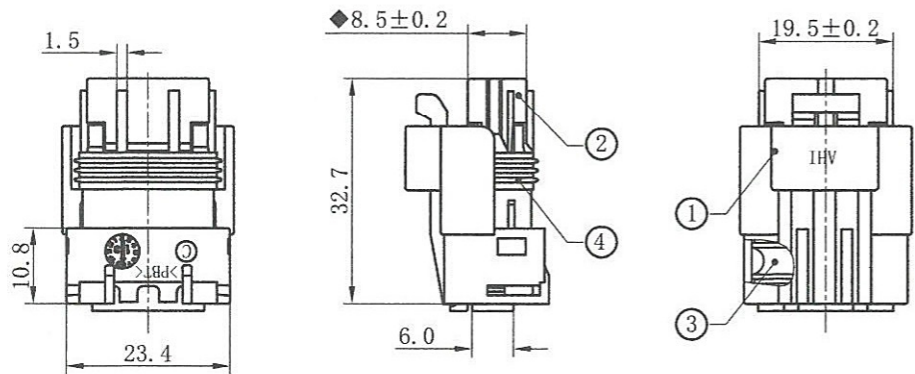


AHI-JS-DR-03-040

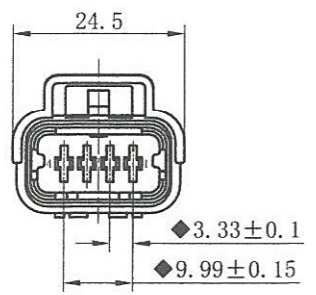


MARK	ECN	DESCRIPTION	DWN.	DATE



PARTS DETAILS

DJ7044B-1.5-21	GRAY	DJ7044D-1.5-21	YELLOW	DJ7044G-1.5-21	BLUG
PART NO.	COLOUR	PART NO.	COLOUR	PART NO.	COLOUR



Note: The mating terminal is DJ627-1.5×0.8

COLOUR	SEE PARTS DETAILS	AHI	Wenzhou Aohai Electric Co., Ltd.			
MATERIAL	SEE PARTS DETAILS					
NAME	4HOLE CONNECTOR	DRAWN BY	CONFIRMED BY	APPROVED BY		
PART NO.	EMTQ04FB-AHI					
TYPE	SEE TABLE	REV.	1st-PERSON VIEW	FREE	UNIT	PAGE
ARTICLE NO.		1.0		1:1	mm	1/1
MOULD NO. :						

NO. TOLERANCES GB/T14486-2008-MT6				④	DJ7044-1.5-21-4	WIRE SEAL	SILICONE RUBBER	1	GREEN
DIM. RANGE	DIM. TOLERANCES	DIM. RANGE	DIM. TOLERANCES	③	DJ7044-1.5-21-3	WIRE SEAL	SILICONE RUBBER	1	BLUE
0~3	±0.23	>18~24	±0.41	②	SEE PARTS DETAILS	LOCK	PBT	1	SEE PARTS DETAILS
>3~6	±0.26	>24~30	±0.45	①	DJ7044-1.5-21-1	HOUSING	PBT	1	BLACK
>6~10	±0.29	>30~40	±0.50	NO.	PART NO.	NAME	MATERIAL	Q' TY	COLOUR
>10~14	±0.33	>40~50	±0.57						
>14~18	±0.37	>50~65	±0.65						