

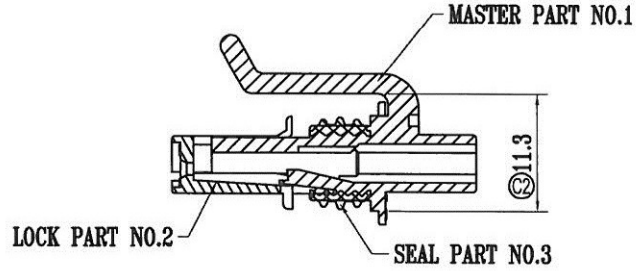
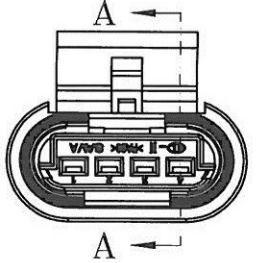
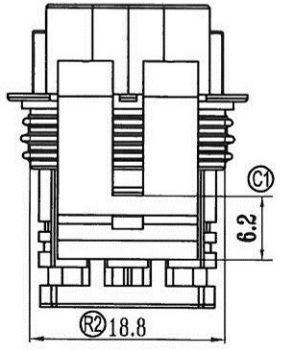
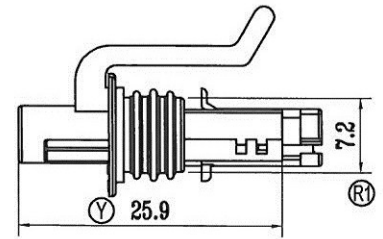
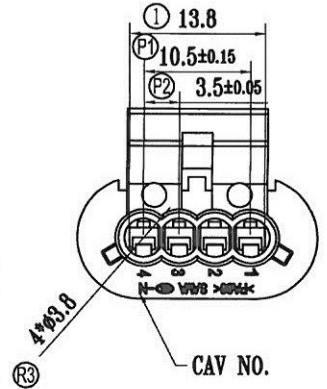


Revision					
MARK	REV.	DESCRIPTION	ECN	DATE	DWN.
	1.0	NEW VERSION		2012.04.02	張輝

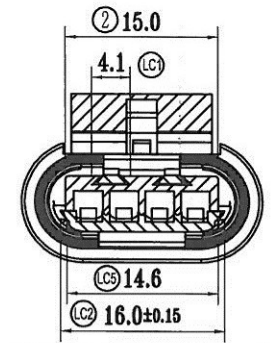
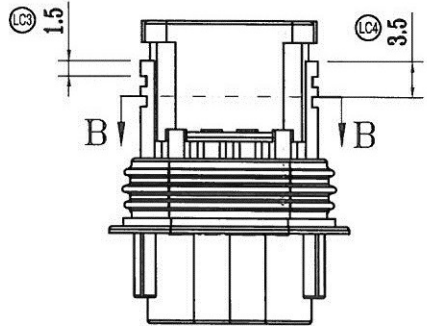
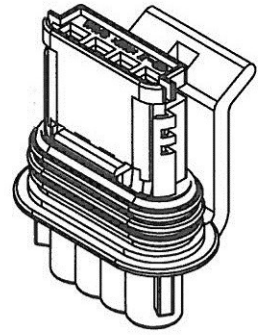
NOTE:
1. ALL THE DIMENSIONS ARE MEASURED UNDER GRADE "B" UNLESS OTHERWISE SPECIFIED.

A
B
C
D
E
F

A
B
C
D
E
F



SECTION A-A



SECTION B-B

MATERIAL							SEE TABLE						AUTO CAD	Tolerances unless other specified				
FINISH							SEE TABLE							GRADE A B				
SEAL	3	R1SAVA04FBKRON00R	—	SH(40±5°)	ORANGE	—								<10.0 : ±0.15 ±0.20 >10.0 : ±0.20 ±0.30 >50.0 : ±0.30 ±0.55 >100.0 : ±0.50 ±0.95 >250.0 : ±0.75 ±1.40 ANGLE : ±30° ±30°		DRAWING NAME 070 TYPE FEMAL HOUSING DRAWING NUMBER ESAVA04FBK		
LOCK	2	33SAVA04FBKCO02YL	—	PA66	YELLOW	—												
MASTER	1	33SAVA04FBKM002BK	—	PA66	BLACK	—										DRAWING NUMBER ESAVA04FBK		
F.P.		33SAVA04FBK	1+2+3	PA66	BLACK	—												
Type	NO.	Part Number	Composed parts	Material	Color	Counter P/No.	Applicable Ter.	核發單位 2012.04.02 研發部	制定單位 2012.04.02 研發部	賴 2012.04.02 劍平	賴 2012.04.02 劍平	胡 2012.04.02 永榮	張 2012.04.02 輝	size : A4	Unit : mm	Scale : FREE	Sheet : 1/1	CODE : N21

1 2 3 4 5 6 7 8